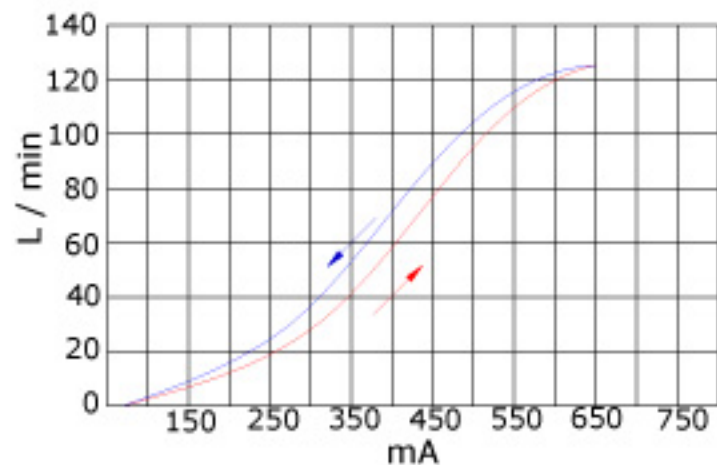




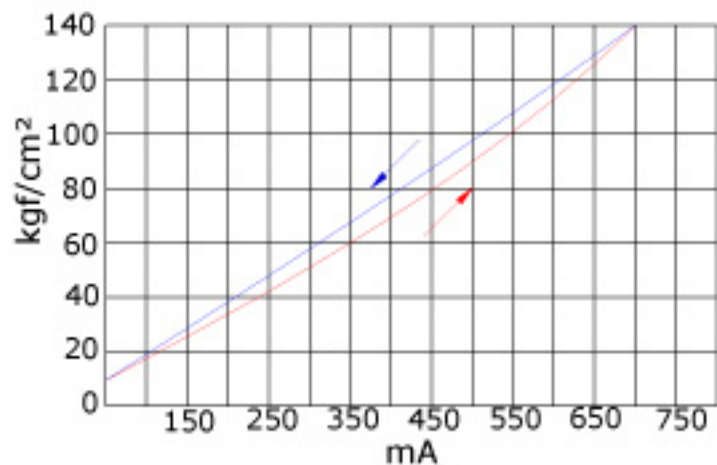
## Input Current vs. Flow

EFBG-03-125

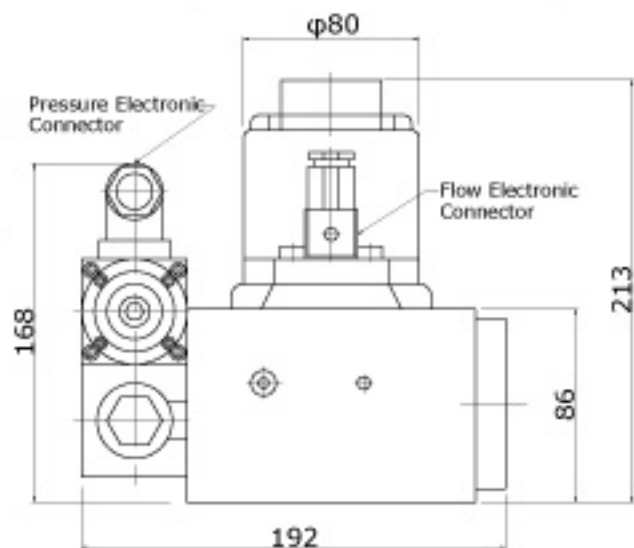
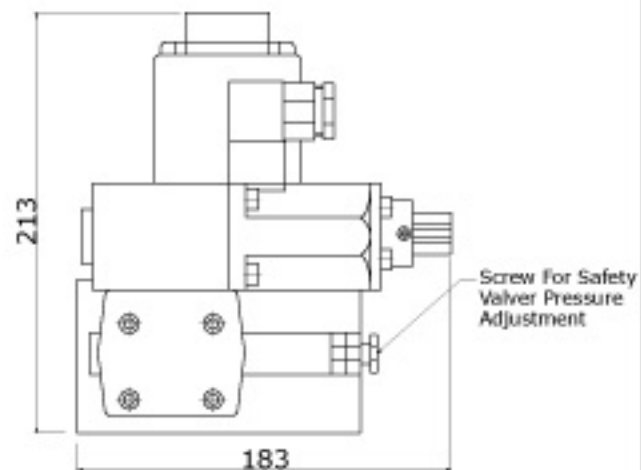
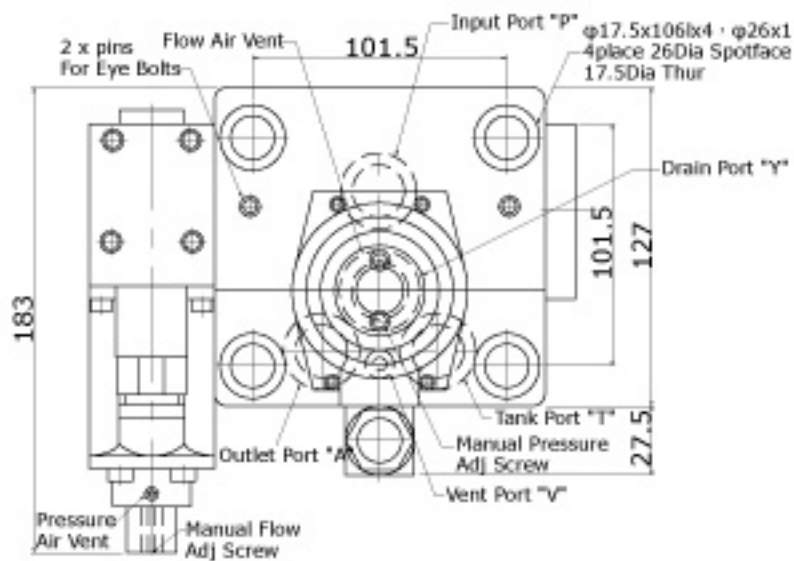


## Input Current vs. Pressure

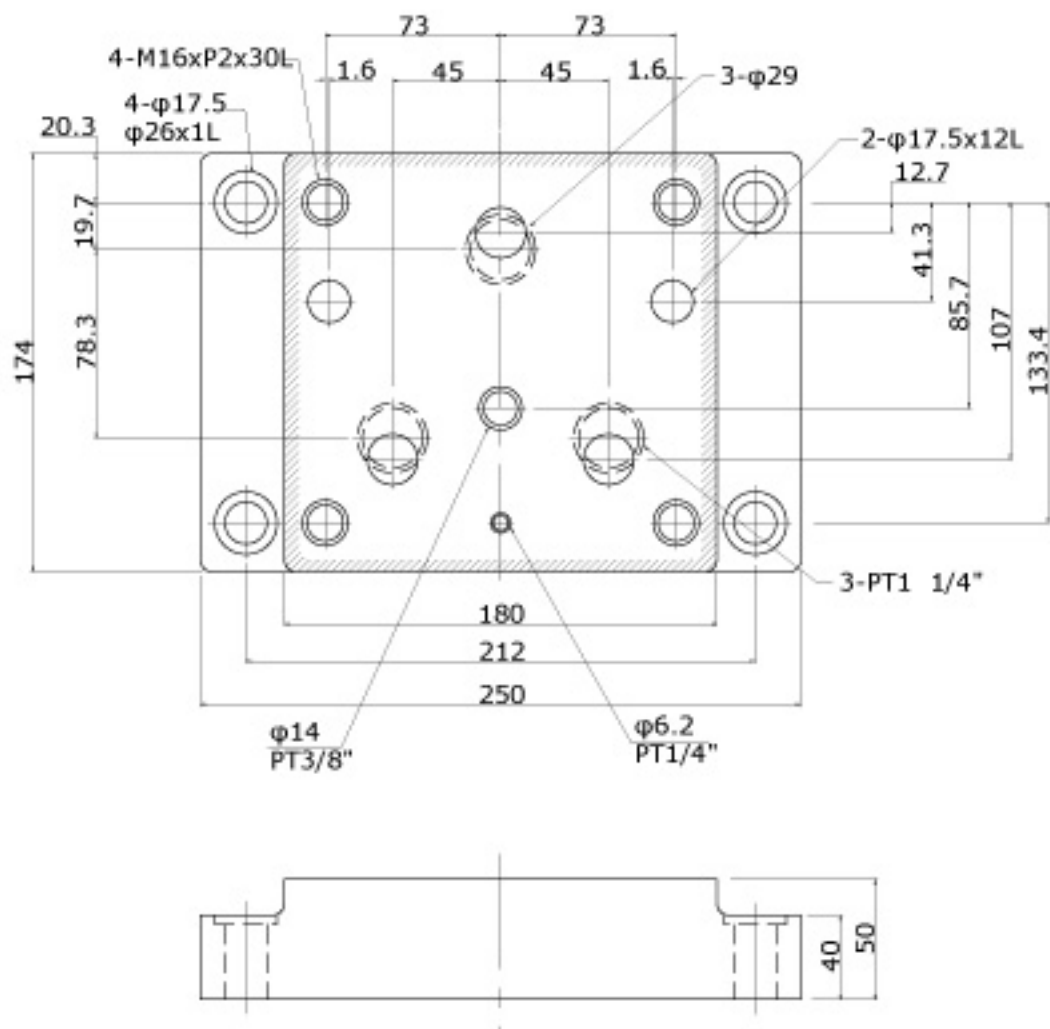
EFBG-03(C)



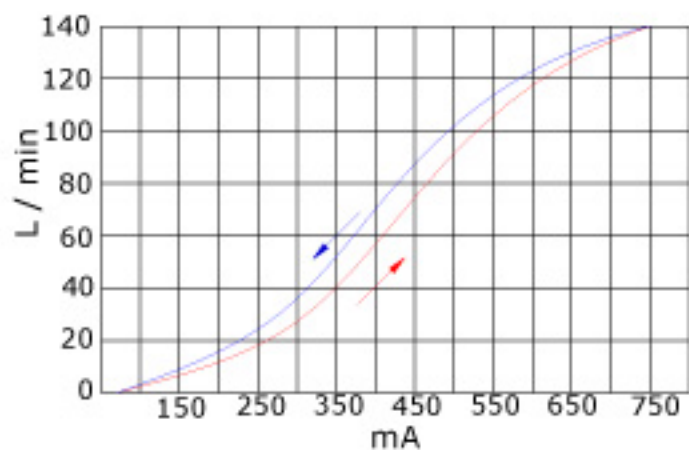
# EFBG-03-125



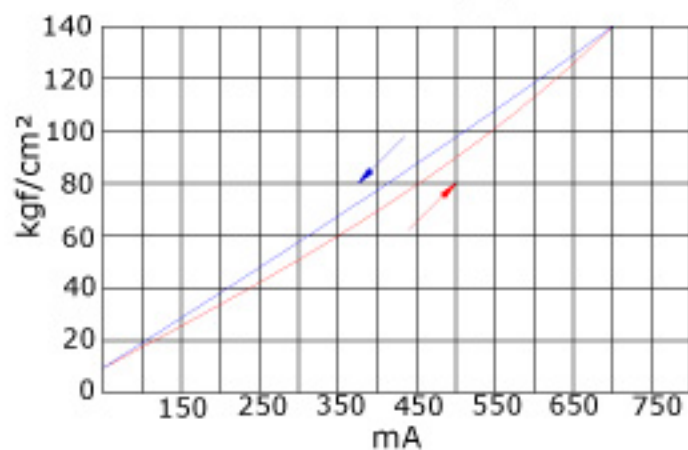
EFBG-06-250



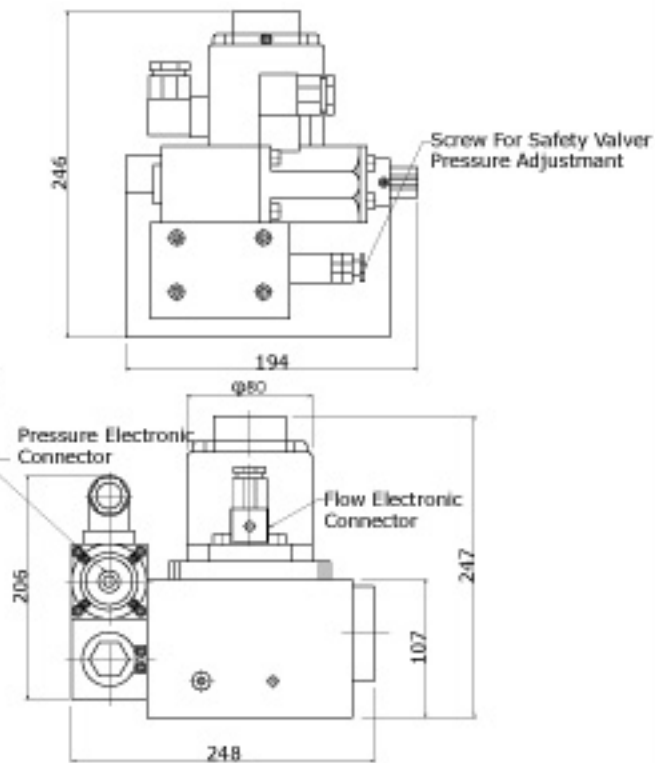
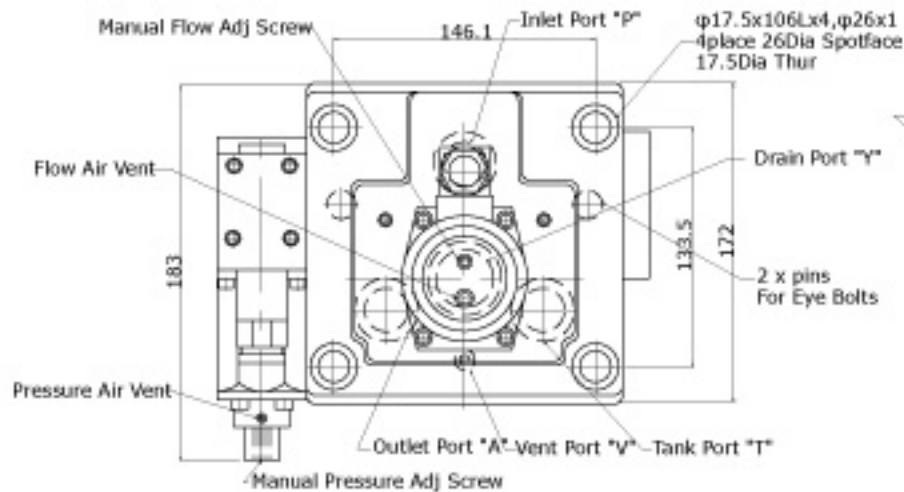
Input Current vs. Flow  
EFBG-06-250



Input Current vs. Pressure  
EFBG-06(C)

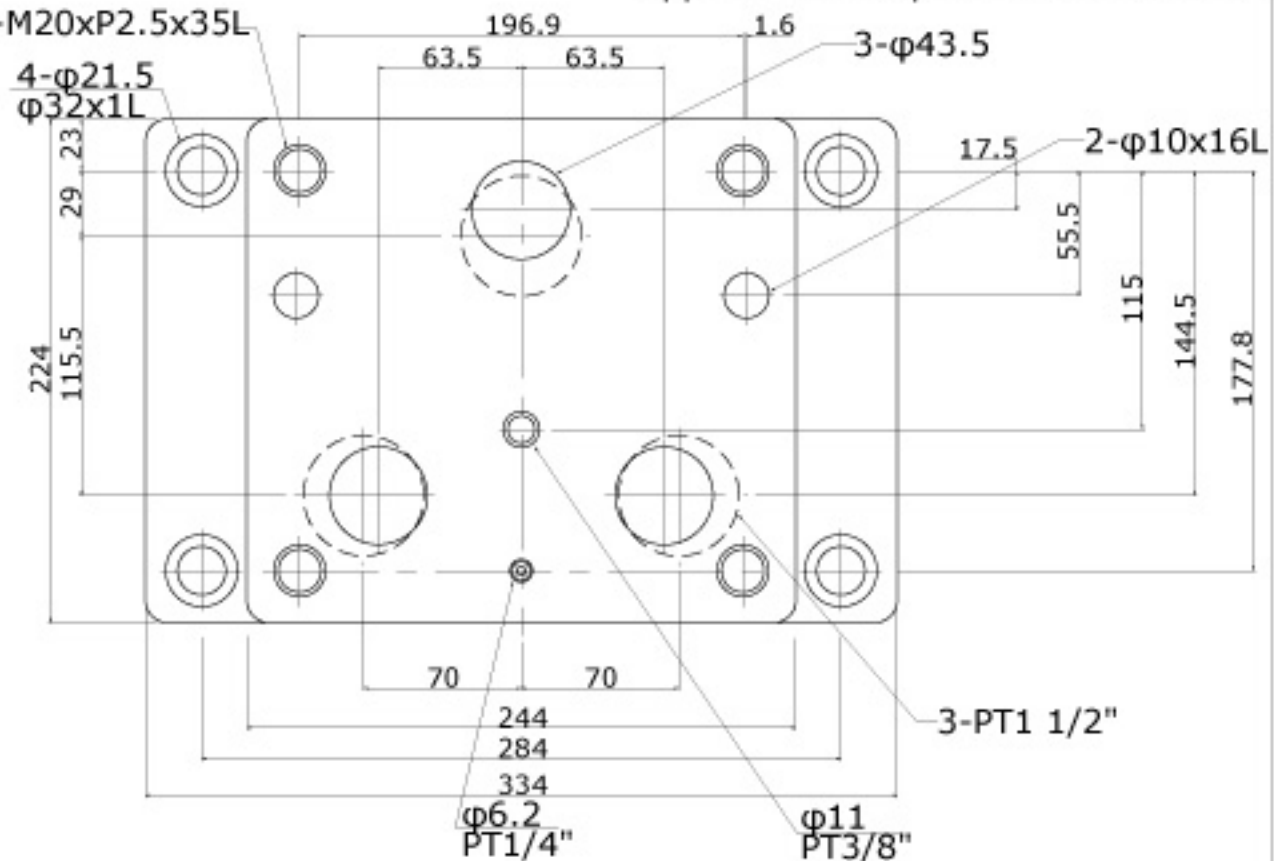


# EFBG-06-250



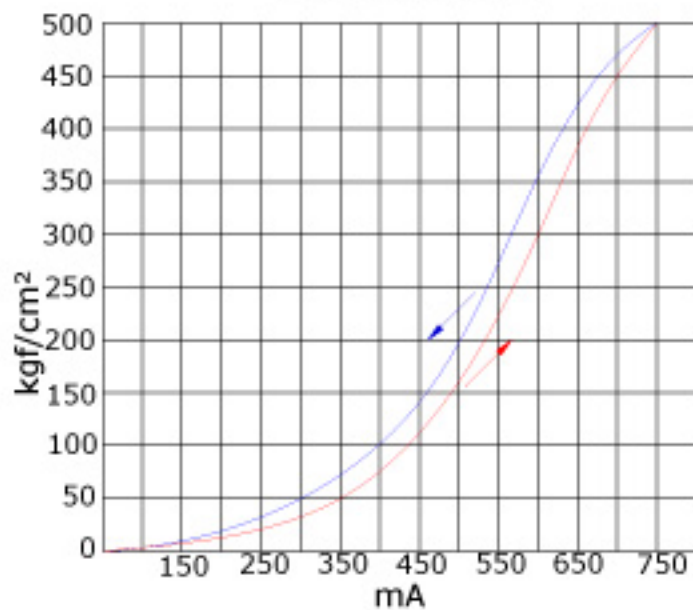
EFBG-10-500 4-M20xP2.5x35L

Applicative Sub-plate for EFBG-10-500



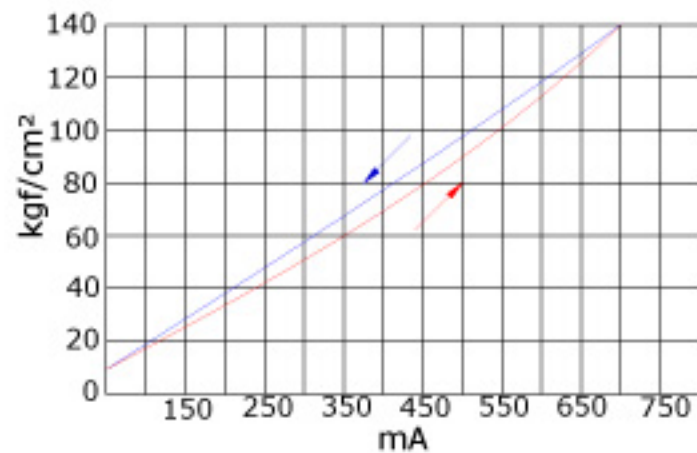
## Input Current vs. Flow

EFBG-10-500



## Input Current vs. Pressure

EFBG-10(C)





# EFBG-10-500

